



# GT20-3

# Sealed Maintenance Free Battery



### Features

- Advanced sulfate-resistant technology.
- Advanced calcium lead alloy technology.
- Maintenance-free design.
- Factory activated, Ready to install and go!
- Absorbed Glass Mat (AGM) technology.

### Performance Specifications

Nominal Voltage ----- 12 volts

Nominal Capacity 25°C (77°F)

20-hr. (1A to 10.5 volts) -----	21.6AH
10-hr. (2A to 10.5 volts) -----	20AH
5-hr. (4A to 10.2 volts) -----	16.4AH
1C. (20A to 9.6 volts) -----	9AH
3C. (60A to 9.6 volts) -----	7.2AH

Approximate Weight ----- 12.76bs. (5.8kg)

Cranking (by Tester) ----- 410Amperes

Cold Cranking (-18°C) ----- 270Amperes

Internal Resistance(at 1KHz) ----- Approx.6.2mΩ

Operating Temperature Range

Discharge ----- -22°F(-30°C) to 122°F(50°C)

Charge ----- 32°F(0°C) to 104°F(40°C)

Life Expectancy (Cycle Use)

60% depth of discharge ----- 250 cycles

30% depth of discharge ----- 400 cycles

Shelf Life (% of normal capacity at 68°F(20°C).....SOC% ocv)

1 months ----- 91% 12.78V

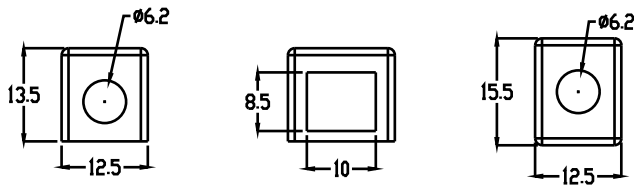
3 months ----- 89% 12.70V

6 months ----- 80% 12.5V

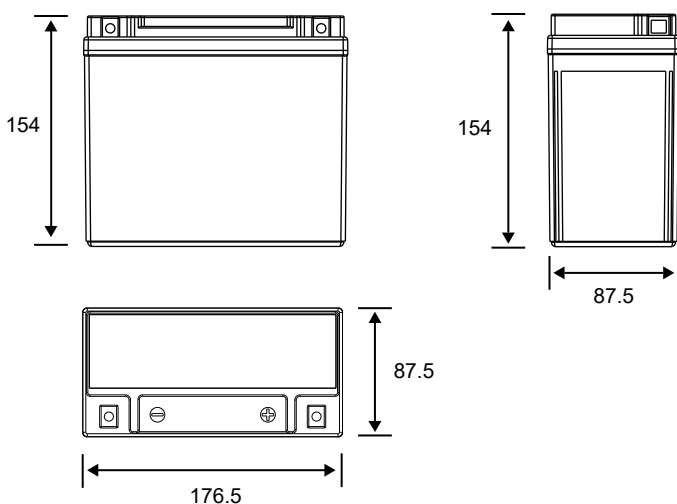
Warranty ----- 1 year

Case ----- ABS

### Terminal Dimensions: (in./mm)



### Physical Dimensions: (in./mm)



Length:6.95in(176.5mm) Width:3.44in(87.5mm)  
 Height:6.06in(154mm)

Tolerances are ±0.04 inches (±1mm) and ±0.08 inches (±2mm) for height.

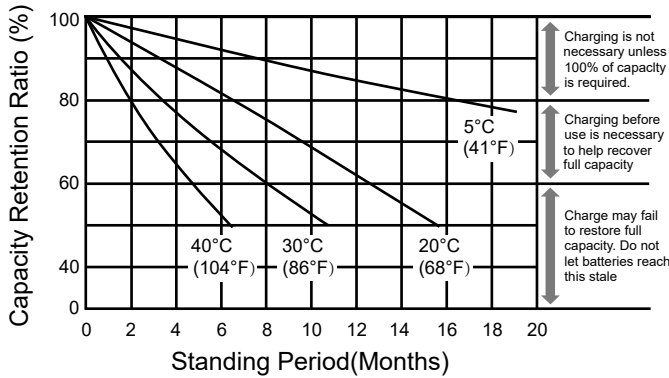


Inner box

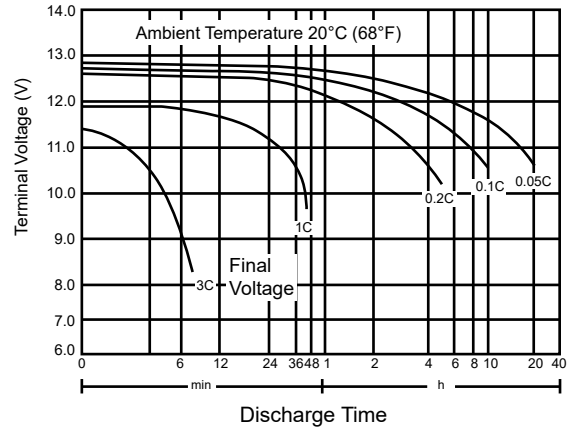
Screws and nuts



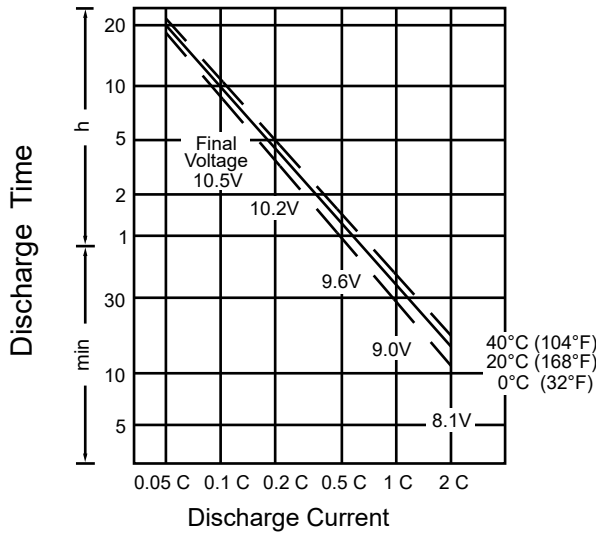
### Shelf life & Storage



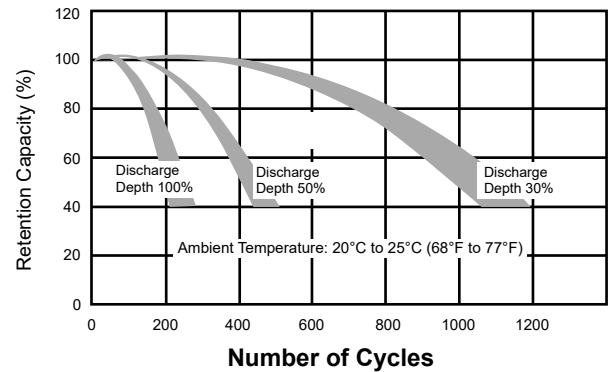
### Discharge Characteristics



### Discharge Time vs. Discharge Current



### Life Characteristics in Cyclic Use



### Charging

**Cycle Applications:** Limit initial current to 0.2C. Charge until battery voltage (under charge) reaches 14.8 to 15.0 volts at 68°F (20°C). Hold at 14.8 to 15.0 volts until current drops to under 50 mA. Battery is fully charged under these conditions, and charger should be disconnected or switched to "float" voltage.

**Note:** Due to the self-discharge characteristics of this type of battery, it is imperative that they be charged within 6 months of storage, otherwise permanent loss of capacity might occur as a result of sulfation.

### Further information:

Please contact our technical department for advice if you have difficulty or contact us at [kaijie@kaijie.net](mailto:kaijie@kaijie.net)

### Can be used to replace:

YTX20L-BS	GYZ20HL	GYZ20L	YTX20HL-BS