



# MF20CH-BS

# Sealed Maintenance Free Battery



### Features

- Advanced sulfate-resistant technology.
- Advanced calcium lead alloy technology.
- Maintenance-free design.
- Factory activated, Ready to install and go!
- Absorbed Glass Mat (AGM) technology.

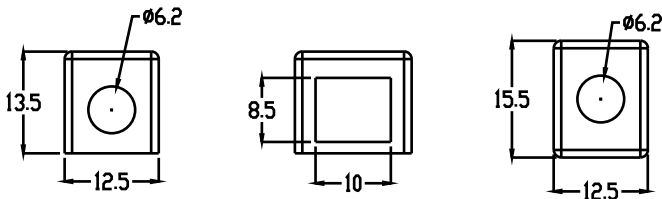
### Performance Specifications

Nominal Voltage	-----	12 volts
Nominal Capacity 25°C (77°F)		
20-hr. (1A to 10.5 volts)	-----	21.6AH
10-hr. (2A to 10.5 volts)	-----	20AH
5-hr. (4A to 10.2 volts)	-----	16.4AH
1C. (20A to 9.6 volts)	-----	9AH
3C. (60A to 9.6 volts)	-----	7.2AH

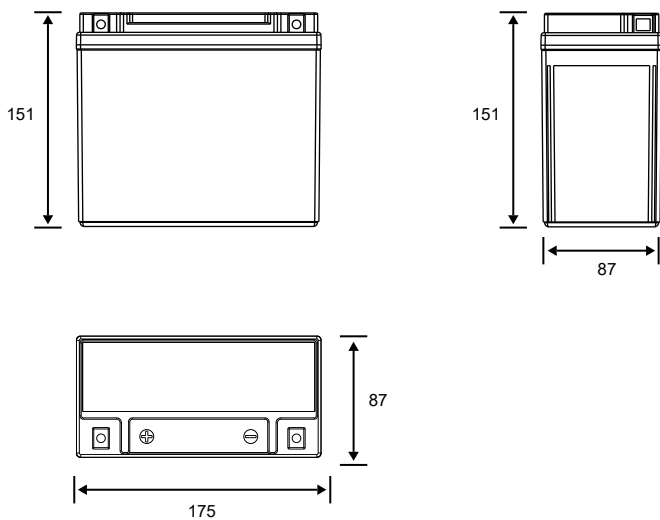
Approximate Weight	-----	12.68lbs. (5.75kg)
Cranking (by Tester)	-----	410Amperes
Cold Cranking (-18°C)	-----	270Amperes
Internal Resistance(at 1KHz)	-----	Approx.5.7mΩ
Operating Temperature Range		
Discharge	-----	-22°F(-30°C) to 122°F(50°C)
Charge	-----	32°F(0°C) to 104°F(40°C)

Life Expectancy (Cycle Use)		
60% depth of discharge	-----	250 cycles
30% depth of discharge	-----	400 cycles
Shelf Life (% of normal capacity at 68°F(20°C).....SOC% ocv)		
1 months	-----	91% 12.78V
3 months	-----	89% 12.70V
6 months	-----	80% 12.5V
Warranty	-----	1 year
Case	-----	ABS

### Terminal Dimensions: (in./mm)



### Physical Dimensions: (in./mm)



Length:5.94in(151mm) Width:3.43in(87mm)  
Height:6.38in(162mm)

Tolerances are ±0.04 inches (±1mm) and ±0.08 inches (±2mm) for height.

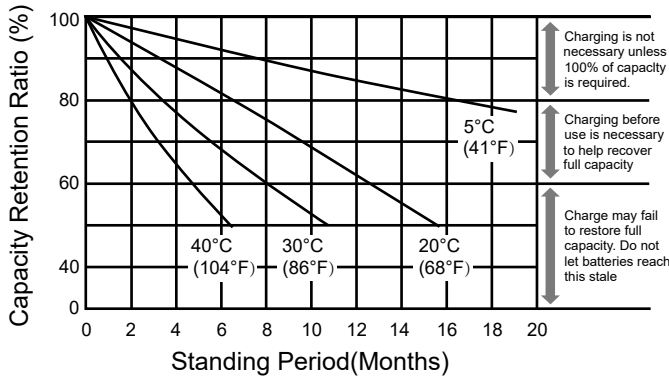


Inner box

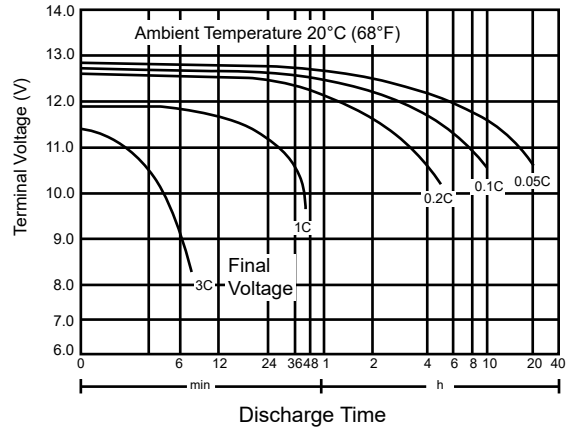
Screws and nuts



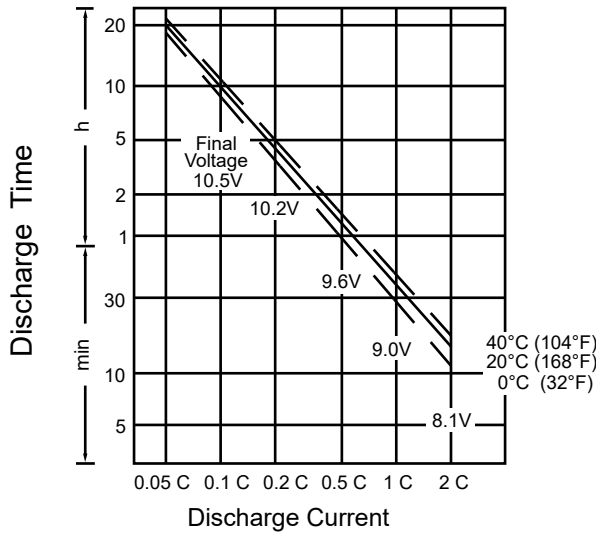
### Shelf life & Storage



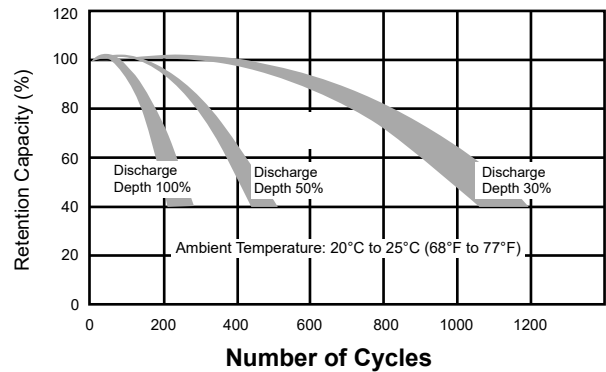
### Discharge Characteristics



### Discharge Time vs. Discharge Current



### Life Characteristics in Cyclic Use



### Charging

**Cycle Applications:** Limit initial current to 0.2C. Charge until battery voltage (under charge) reaches 14.8 to 15.0 volts at 68°F (20°C). Hold at 14.8 to 15.0 volts until current drops to under 50 mA. Battery is fully charged under these conditions, and charger should be disconnected or switched to "float" voltage.

**Note:** Due to the self-discharge characteristics of this type of battery, it is imperative that they be charged within 6 months of storage, otherwise permanent loss of capacity might occur as a result of sulfation.

### Further information:

Please contact our technical department for advice if you have difficulty or contact us at [kaijie@kaijie.net](mailto:kaijie@kaijie.net)

### Can be used to replace:

YTX20CH	YTX20CH-BS		